



Model Number

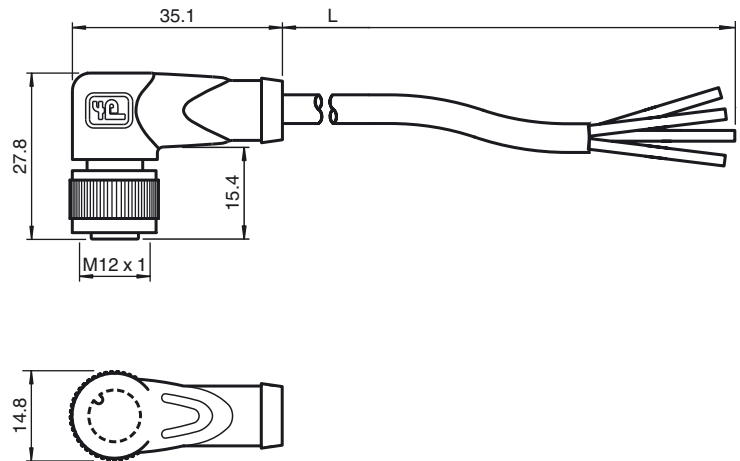
V1-W-YE5M-PVC-U

Female cordset, M12, 4-pin, PVC cable

Features

- UL Recognized Component
- Knurled nut suitable for tool assembly
- Immunity to vibration, with mechanical latching
- Gold-plated and machined contacts
- Degree of protection IP67 / IP68 / IP69K
- Flame resistant cable

Dimensions



Technical data

General specifications

| | |
|----------------|---------|
| Number of pins | 4 |
| UL File Number | E231213 |

Electrical specifications

| | | |
|-------------------|-------|------------------|
| Operating voltage | U_B | max. 250 V AC/DC |
| Operating current | I_B | max. 4 A |
| Volume resistance | | < 5 m Ω |

Ambient conditions

| | |
|---------------------|--|
| Ambient temperature | Body: -40 ... 90 °C (-40 ... 194 °F) cable, flexing: -25 ... 80 °C (-13 ... 176 °F) cable, fixed: -5 ... 80 °C (23 ... 176 °F) |
|---------------------|--|

| | |
|------------------|---|
| Pollution degree | 3 |
|------------------|---|

Mechanical specifications

| | |
|----------------------|------------------------------|
| Contact elements | spring-loaded contact socket |
| Pin diameter | 1 mm |
| Degree of protection | IP67 / IP68 / IP69k |

Material

| | |
|-----------------|--|
| Contacts | CuSn / Au |
| Contact surface | Au |
| Body | TPU, black |
| Cable | PVC |
| Slotted nut | Diecast zinc |
| Core insulation | PVC |
| Cable | fine-strand, flexible |
| Sheath diameter | \varnothing 4.3 mm |
| Bending radius | > 15 x cable diameter, moving > 5 x cable diameter, fixed |

| | |
|------------------------|----------------------------|
| Color | yellow |
| Cores | 4 x 0.34 mm ² |
| Conductor construction | 19 x 0.15 mm \varnothing |
| Length | L 5 m |

| | |
|-----------------|-----|
| Flammability | |
| Contact carrier | HB |
| Housing | V-2 |
| Cable | FT1 |

Compliance with standards and directives

| | |
|----------------------|---|
| Standard conformity | |
| Degree of protection | EN 60529:2000 |
| Standards | IEC 61076-2-101:2008 |
| Flammability | Body: UL 94 Line: UL 1581 Section 1061; IEC 60332-1-2:2004 |

Approvals and certificates

| | |
|-------------|---|
| UL approval | cURus AWM 2095 AWM I/II A/B 80°C 300V FT1 (cable) |
|-------------|---|

Electrical connection

